

# LED GU10 High CRI - Dimmable

6W Replacement for 50W



DATA SHEET

## Product information

Tungshram's LED technology surpasses current market expectations for GU10 performance. This new generation design of the **E** 5\* rated LED GU10 High CRI - Dimmable puts Tungshram the cutting edge of LED innovation. Superior Colour Consistency within 4 steps on Macadam ellipse, 95Ra Colour Rendering Index and R9 > 90 combine for excellent light quality and accurate reproduction of deep red colours in merchandise displays or furniture. Long Lifetime at 50,000 Hrs with high lumen output provides a very high-quality performance product. Available in three colour temperatures and two beam angles with smooth heat sink and a very wide light emitting surface area.

## Features & Benefits

- 95Ra Colour Rendering Index and R9 > 90
- COB design with glass housing for halogen look-alike aesthetics
- Colour Consistency : <4 SDCM
- Wide light emitting surface area reduces glare
- Flat front face with smooth heat sink
- Extra-long L70 life for reduced maintenance costs
- Total Lumen output of 360, 380 and 410 Lumens
- Compatible dimming on leading edge and trailing edge dimmers
- Warranty: 3 years, up to 12000 burning hours according to Tungshram Operations Kft. Standard Warranty conditions

## Application areas



Hospitality



Retail

## IEC Standards

- EN 62560:2012+A1:2015: Self-ballasted lamps for general lighting services by voltage > 50V – Safety specifications
- EN 62493:2015: Assessment of lighting equipment related to human exposure to electromagnetic fields
- EN 55015:2013+A1:2015: Limits and methods of measurement of radio disturbance characteristics of electrical lighting and similar equipment
- EN 61547:2009: Equipment for general lighting purposes – EMC immunity requirements
- EN 61000-3-2:2014: Electromagnetic compatibility (EMC) – Part 3-2: Limits – Limits for harmonic current emissions (equipment input current up to and including 16A per phase)
- EN 61000-3-3:2013: Electromagnetic compatibility (EMC) – Part 3-3: Limits – Limitation of voltage fluctuations and flicker in low-voltage supply systems for equipment with rated current up to 16A



# Specification summary

Product Code	Product Description	Nominal Power (W)	Repl Watt (W)	Rated Angle (°)	Total Lumens (Lm)	90deg cone Lumens (Lm)	CBCP	CCT (K)	CRI	R9	Colour Consistency	Energy Efficiency Class	Pack Qty
93094507	LED Precise GU10 6W(50)Dim 927 20° TU	6	50	20°	360	350	1500	2700	95	>90	< 4 SDCM	G	1/10
93094508	LED Precise GU10 6W(50)Dim 927 35° TU	6	50	35°	360	350	800	2700	95	>90	< 4 SDCM	G	1/10
93094509	LED Precise GU10 6W(50)Dim 930 20° TU	6	50	20°	380	370	1600	3000	95	>90	< 4 SDCM	G	1/10
93094510	LED Precise GU10 6W(50)Dim 930 35° TU	6	50	35°	380	370	900	3000	95	>90	< 4 SDCM	G	1/10
93094511	LED Precise GU10 6W(50)Dim 940 20° TU	6	50	20°	410	400	1700	4000	95	>90	< 4 SDCM	G	1/10
93094512	LED Precise GU10 6W(50)Dim 940 35° TU	6	50	35°	410	400	1000	4000	95	>90	< 4 SDCM	G	1/10

## Energy efficiency class (A-G)\*



## Common attributes

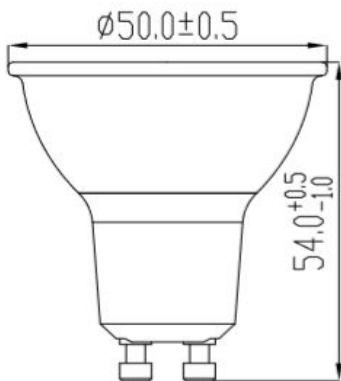
- Dimmable
- 50,000 hours lifetime
- Colour Rendering Index >95
- R9>90
- Input Voltage 220-240V
- Warm up time: Instant on
- Switching Cycles: 100,000
- Power factor: >0.9
- A+ Energy Efficiency
- GU10 cap/base
- Lumen maintenance: 0.7

## Recommended operation temperature

Thermal test point  
Ths Max for L70/B50: **80C**



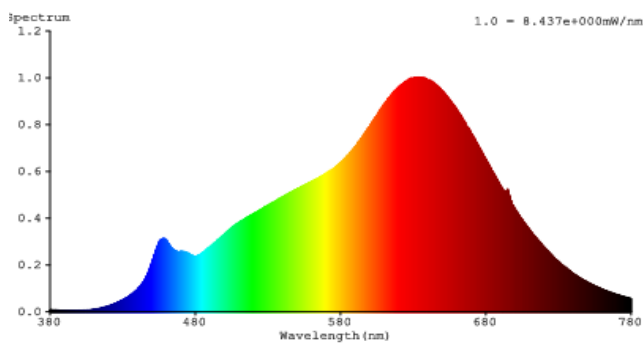
## Dimensions (mm)



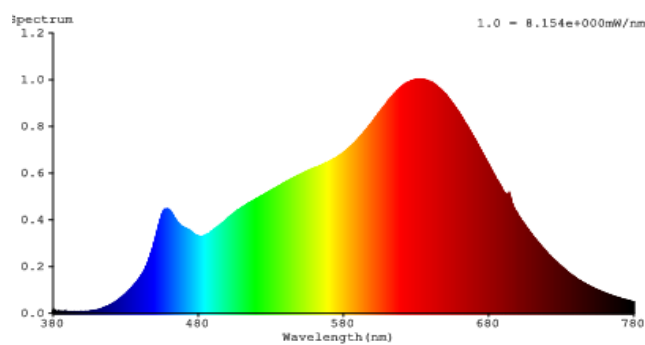
## Packaging image



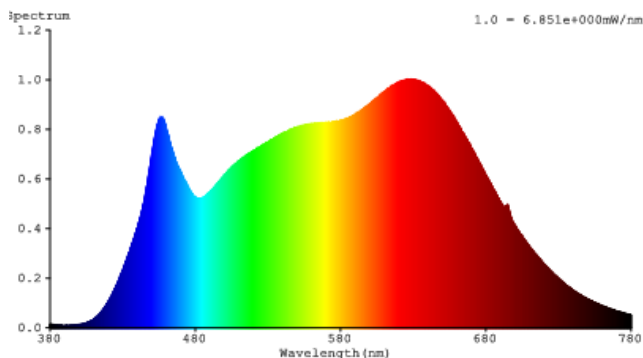
# Spectral distributions



2700K



3000K



4000K

All values 180-400nm are 0

## Operation and maintenance

- Store and use the lamps the same way as traditional lamps.
- Check your fixtures are properly wired and don't deliver voltage spike to lamps causing overheating/failure.
- Ambient temperature range -20° C to 40°C
- Lamps should be kept free from contamination.
- Good condition of the lamp-holder contacts is important to ensure proper operation of lamp.
- Ensure lamp is cool before removing.
- Switch off mains supply before installing/removing lamp.
- Not for use in totally enclosed recessed fixtures.

LED GU10 High CRI - Dimmable 6W lamps are dimmable on most leading and trailing edge dimmers, for more information please check our website [www.tungshram.com/dimming-led](http://www.tungshram.com/dimming-led).