

LED IP65 Batten



Product information

The LED IP65 Batten designed to be a direct replacement for conventional battens, with energy savings. The best choice for smooth linear lighting. The range available in 20W & 40W with size of 600mm and 1200mm. Featuring high grade polycarbonate diffuser and housing, they are suitable for commercial and industrial use where moisture or dust is prevalent. The Weatherproof Batten range offers cost effective reliability and weatherproof resistance.

Features

- Ambient temperature: -20°C to +45°C
- Long life: lifetime up to 40,000hrs @L70
- High color rendering: CRI>80
- High efficiency: up to 100lm/w
- Environmental: save up to 60% energy
- Beam angle: 110°
- Class II
- IP65
- IK 08

Benefits

- Easy to install , requires small space due to compact size
- Seamless linear lighting without dark spots
- Healthy – UV-free & IR-free

Application areas



Office



Retail



Hospitality



Industrial



Corridors / Entrances / Basements
Bathrooms / Stairwells

Direct replacement for luminaires with fluorescent lamps.

Specification

Product Code	Description	Wattage (W)	Lumen output (lm)	Efficacy (lm/W)	Voltage (V)	Input current (mA)	Control	CCT (K)	CRI	Beam angle (°)	Energy Class	Power Factor
93114855	LED Batten TU 20W 600mm 3000K IP65	20	1650	83	100-240	100	Static	3000	> 80	110	A+	0.98
93114856	LED Batten TU 20W 600mm 4000K IP65	20	2000	100	100-240	100	Static	4000	> 80	110	A+	0.98
93114857	LED Batten TU 40W 1200mm 3000K IP65	40	3300	83	100-240	136	Static	3000	> 80	110	A+	0.98
93114858	LED Batten TU 40W 1200mm 4000K IP65	40	4000	100	100-240	136	Static	4000	> 80	110	A+	0.98

Common attributes

- Not dimmable
- Nominal voltage: 100-240V
- Operation mode: ECG
- Frequency: 50/60 Hz

Material

- Body material: Polycarbonate (PC)
- Product colour: White

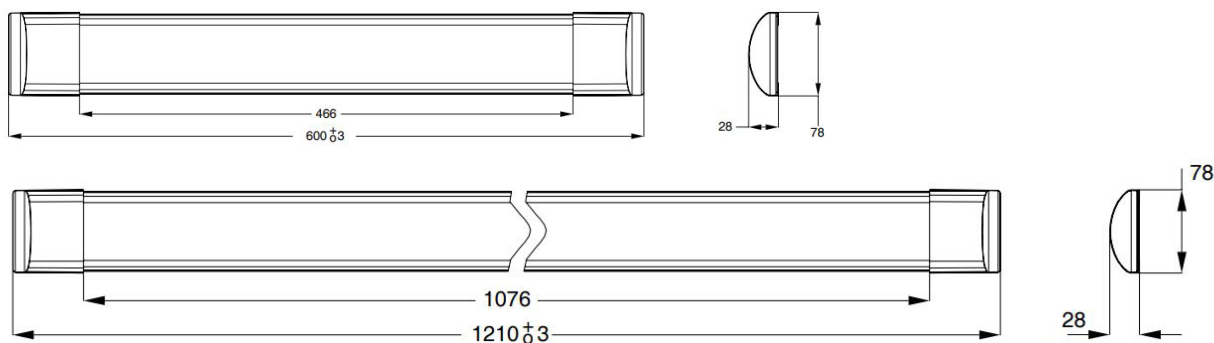
Regulatory and standards

Regulatory mark: CE

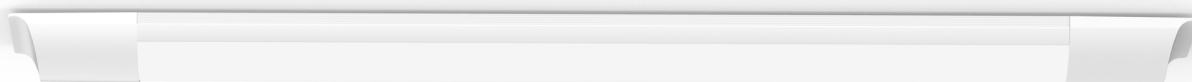
Regulations: 2014/35/EU, 2014/30/EU, 2011/65/EU, (framework 2009/125/EC) EU/1194/2012 amended by EU 2015/1428, (framework 2010/30/EC) 874/2012 and 518/2014*, 2012/19/EU*

Harmonised standards: EN 60598, EN 62493, EN 61547, EN55015, EN 61000, refer to CE Declaration of Conformity and Technical File for details Photobiological risk assessment group 0. The product is considered safe, does not pose any photobiological hazard
*not on DOC

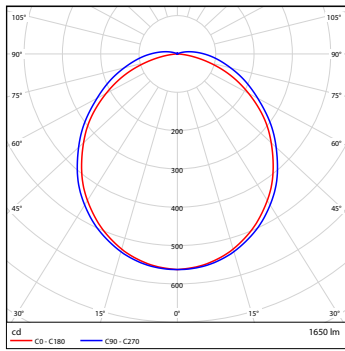
Dimensions (mm)



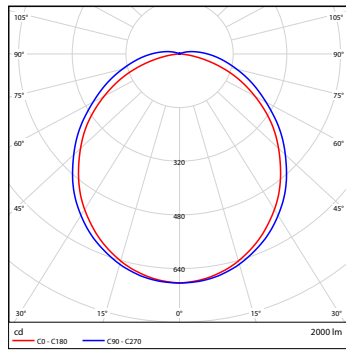
Description	Wattage	Length (mm)	Width (mm)	Height (mm)	Weight (kg)
LED Batten TU 20W xxx	20	600	78	28	0.45
LED Batten TU 40W xxx	40	1210	78	28	0.75



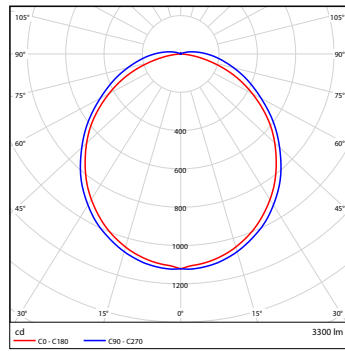
Photometric data



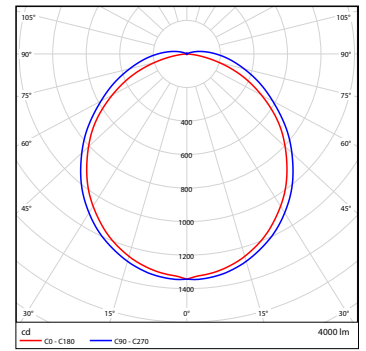
20W 3000K



20W 4000K



40W 3000K



40W 4000K

Photometry is based on LM79

Order logic

Internal Code	Wattage	Length	Light color (CCT)	IP rating
LED Batten TU	20W	600mm	3000K	IP65
	40W	1200mm	4000K	

Example: LED Batten TU 20W 600mm 3000K IP65
 20W 3000K IP65 LED Batten with 600mm length