

# Emergency Twin Spot



LED IP20 IK06 CLASS II CE UK CA

## Product information

Emergency Twin Spot exit signs are available with two different lenses for different applications. The products are available for wall mounting installation. The integrated selftest function corresponds to the European standard.

## Features and benefits

- More than 3 hours operation time in emergency situation
- Wall mount Installation
- Selftest function
- IK06
- CCT: 5000K
- High quality Samsung chips
- Long life: 78.000 hours

## Batteries

- 3,7V 4400mAh Li-ion battery

## Application areas



## Specification summary

Parameters below are the same for all luminaires in the range:

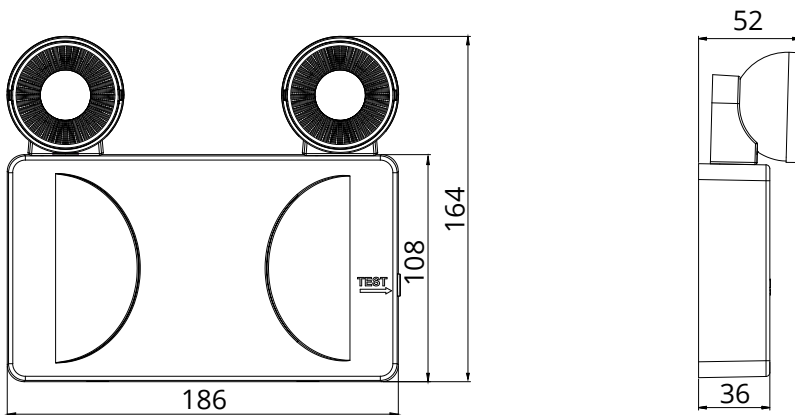
Light Technology used	LED
Input Voltage & Frequency	220-240V(AC), 50/60Hz
Colour rendering index (CRI) (Ra) min	70
R9 colour rendering index value	0
Power factor	≥0.3
Operating temperature range	0-45°C
Battery type	Li-ion

Battery charging duration	24h
Battery discharging duration	≥3h
Battery warranty	1 year
Battery model	3.7V 4.4Ah
Ingress protection	IP20
Impact protection rating	IK06
Lifetime L80B20	>78000

Parameters below are specific for each of the product codes:

Product code	Description	ELECTRICAL DATA			PHOTOMETRICAL DATA				DIMENSIONS & WEIGHTS			
		Power (W)	Input current (mA)	Dimm.	Emergency lumen (lm)	Correlated color temperature (CCT) (K)	Lens type	Beam angle (°)	Luminaire Efficiency (emergency) (lm/W)	Dimensions (LxWxH) (mm)	Weight (kg)	Battery model
93120906	Emergency TW Spot G1 TU 4W 3 Li SST R WM	4	30	No (Static)	400	5000	Round	148	58	186x52x164	0,4	3,7V 4400mAh
93120907	Emergency TW Spot G1 TU 4W 3 Li SST O WM	4	30	No (Static)	400	5000	Oval	163 / 61	58	186x52x164	0,4	Li-ion

## Dimensions (mm)



## Order logic

Internal Code	Generation	Brand	Wattage	Operation Hours	Battery Type	Control	Test Function	Lens	Mounting Type
Emergency TW Spot - Emergency Twin Spot	G1 - Generation 1	TU - Tungsrám	4W	3 - 3h Operation	Li - Lithium	S - Static	ST - Self Test	R - Round	WM - Wall Mount