

Emergency DL



LED IP20 IK06 CLASS II CE UK CA

Product information

Emergency DL range available in two different shapes with a simple and elegant design. The optically efficient lenses ensure optimum performance for corridor or open area applications. The products are available for surface mounting installation. The integrated selftest/DALI test function corresponds to the European standard.

Features

- More than 3 hours operation time in emergency situation
- Surface mount Installation
- Selftest / DALI test function
- IK06
- CCT: 5000K
- High quality Samsung chips
- Long life: >78.000 hours

Batteries

- 6.4V 1500mAh LiFePO4 battery for 3W versions
- 9.6V 1500mAh LiFePO4 battery for 6W versions

Application areas



Specification summary

Parameters below are the same for all luminaires in the range:

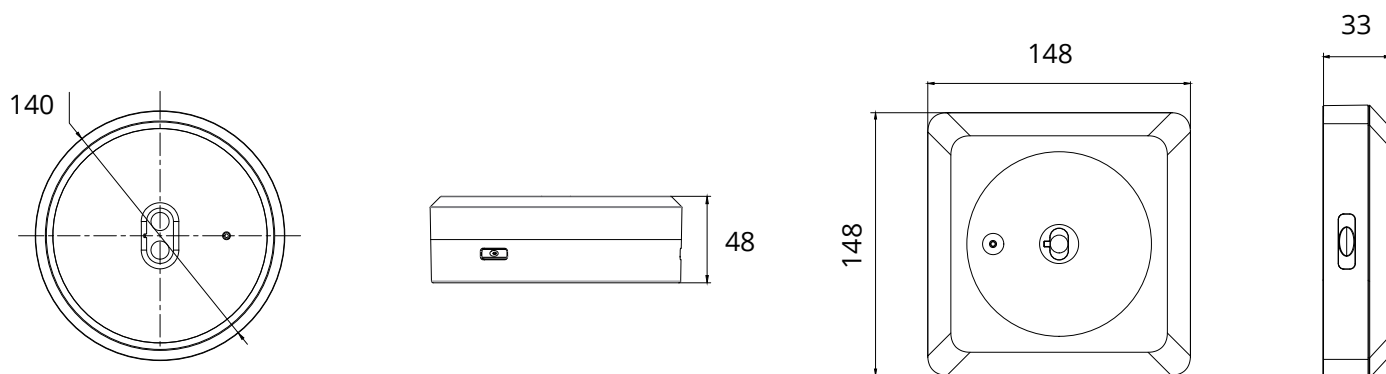
Light Technology used	LED
Input Voltage & Frequency	220-240V(AC), 50/60Hz
Colour rendering index (CRI) (Ra) min	70
R9 colour rendering index value	0
Power factor	≥0.3
Operating temperature range	0-45°C
Battery type	LiFePO4

Battery charging duration	24h
Battery discharging duration	≥3h
Battery warranty	3 years
Ingress protection	IP20
Impact protection rating	IK06
Lifetime L80B20	>78000

Parameters below are specific for each of the product codes:

Product code	Description	Electrical data				Photometrical data					Other informations		
		Power (W)	Input current (mA)	Dimmable	Emergency lumen (lm)	Correlated color temperature (CCT) (K)	Lens type	Beam angle (°)	Luminaire Efficiency (emergency) (lm/W)	Dimensions (LxWxH) (mm)	Weight (kg)	Housing shape	Battery model
STATIC RANGE													
93120899	Emergency DL G1 TU 3W 3 Li SST R R SM	3	30	No (Static)	220	5000	Round	148	73	D140x48	0,3	Round	
93120900	Emergency DL G1 TU 3W 3 Li SST O R SM	3	30	No (Static)	220	5000	Oval	163 / 61	73	D140x48	0,3	Round	6.4V 1500mAh LiFePO4
93120903	Emergency DL G1 TU 3W 3 Li SST R S SM	3	30	No (Static)	200	5000	Round	148	73	148x148x33	0,3	Square	
93120904	Emergency DL G1 TU 3W 3 Li SST O S SM	3	30	No (Static)	200	5000	Oval	163 / 61	73	148x148x33	0,3	Square	
93120901	Emergency DL G1 TU 6W 3 Li SST R R SM	6	50	No (Static)	400	5000	Round	148	67	D140x48	0,4	Round	9.6V 1500mAh LiFePO4
93120902	Emergency DL G1 TU 6W 3 Li SST O R SM	6	50	No (Static)	400	5000	Oval	163 / 61	67	D140x48	0,4	Round	
DIMMABLE RANGE													
93120897	Emergency DL G1 TU 3W 3 Li DDT R R SM	3	30	Yes (DALI)	220	5000	Round	148	73	D140x48	0,3	Round	6.4V 1500mAh LiFePO4
93120898	Emergency DL G1 TU 3W 3 Li DDT O R SM	3	30	Yes (DALI)	220	5000	Oval	163 / 61	73	D140x48	0,3	Round	

Dimensions (mm)



Order logic

Internal Code	Generation	Brand	Wattage	Operation Hours	Battery Type	Control	Test Function	Lens	Housing shape	Mounting Type
Emergency DL - Emergency Down-light	G1 - Generation 1	TU - Tungstram	3W 6W	3 - 3h Operation	Li - Lithium	S - Static	ST - Self Test DT - DALI Test	R - Round O - Oval	R - Round S - Square	SM - Surface Mount