

Emergency EXIT Signs



LED CE UK CA

Product information

Tungsräm EXITs signs are a reliable but affordable solution in any project from public buildings to factory sites.

Features & Benefits

- More than 3 hours operation time in emergency situation
- Recessed, Surface mount and wall mount Installation
- Maintained and Maintained/Non-maintained options to be chosen during installation (except SKU: 93118892)
- IK03 (Static) / IK06 (DALI)
- CCT: 6500K (Static) / 5000K (DALI)
- High quality Bridgelux (Static) / Samsung (Dimmable type) chips
- Long life: 50.000 hours (Static) / >78000 hours (DALI)
- Marker panels arrive with 4 replaceable signs: left, right and 2 down directions

Batteries

- 3,6V 1500mAh NiCd battery for Bulkhead (SKU: 93118893)
- 3,2V 1500mAh LiFePO4 batteries for Ceiling and Wall mount signs (SKU: 93118890 and 93118892)
- 6,4V 1500mAh LiFePO4 batteries for Recessed sign (93118891)
- 6,4V 600mAh LiFePO4 batteries for Dimmable sign (93120896)

Application areas



Public buildings



Factories



Retail



Hotel /
Restaurant



Office

Specification summary

Parameters below are the same for all luminaires in the range:

Light Technology used	LED
Input Voltage & Frequency	220-240V(AC), 50/60Hz For SKU 93118893: 220-240V(AC), 50Hz
R9 colour rendering index value	0
Power factor	Static range: ≥ 0.4 Dimmable range: ≥ 0.3

Battery charging duration	24h
Battery discharging duration	$\geq 3h$
Battery warranty	Static range: 2 years Dimmable range: 3 years
Impact protection rating	Static range: IK03 Dimmable range: IK06
Lifetime L70B50	Static range: 50000 Dimmable range: >78000

Parameters below are specific for each of the product codes:

Product code	Description	ELECTRICAL DATA			PHOTOMETRICAL DATA					DIMENSIONS			
		Power (W)	Input current (mA)	Dimm.	Emergency lumen (lm)	Colour rendering index (CRI) (Ra) min	Correlated color temperature (CCT) (K)	Beam angle (°)	Luminaire Efficiency (emergency) (lm/W)	Dimensions (LxWxH) (mm)	Weight (kg)	Battery model	Ingress protection
STATIC RANGE													
93118890	Emergency Exit G1 TU 3 LI S SM	5,5	70	No (Static)	-	-	6500	-	-	290x40x182	0,9	LiFePO4 3.2V 1500mAh	IP40
93118891	Emergency Exit G1 TU 3 LI S RM	5,5	60	No (Static)	50	-	6500	120	9,1	300x126x192	0,9	LiFePO4 6.4V 1500mAh	IP65
93118892	Emergency Exit G1 TU 3 LI S WM	5,5	70	No (Static)	-	-	6500	-	-	312x42x214	0,8	LiFePO4 3.2V 1500mAh	IP40
93118893	Emergency Bulkhead G1 TU 3 Ni S WM	5	50	No (Static)	150	80	6500	120	30	352x110x69	0,6	Ni-Cd SC 3.6v 1500mAh	IP65
DIMMABLE RANGE													
93120896	Emergency Exit G1 TU 3 Li DST SM	3	30	Yes (DALI)	-	70	5000	-	-	315x45x223	0,9	LiFePO4 6.4V 600mAh	IP20
ACCESSORIES													
93118865	Emergency Exit Suspension Kit	-	-	-	-	-	-	-	-	-	-	-	-
93121054	Emergency Exit G1 TU 3 LI S RM Reckit*	-	-	-	-	-	-	-	-	-	-	-	-
93121122	Emergency Bulkhead G1 Sign sticker	-	-	-	-	-	-	-	-	-	-	-	-

*applicable for: 93118891 (Emergency Exit G1 TU3 LI S RM)



93118890



93118891



93118892

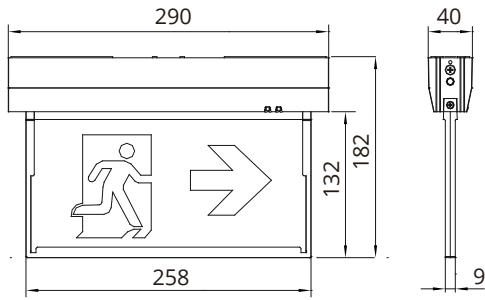


93118893

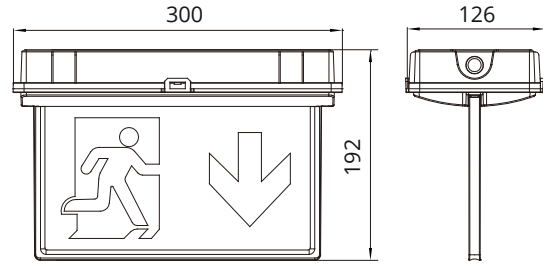


93120896

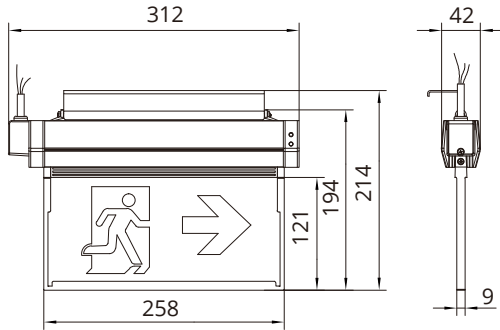
Dimensions (mm)



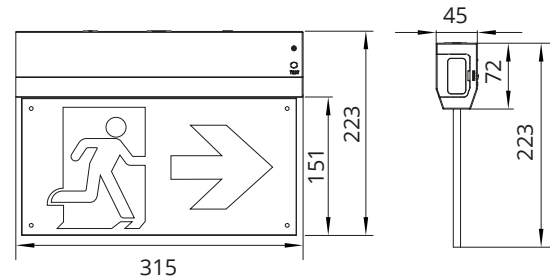
93118890



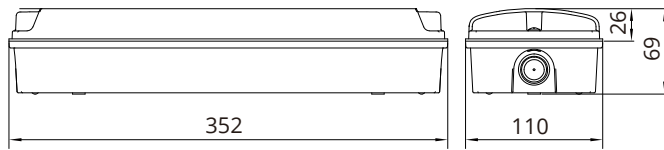
93118891



93118892



93120896



93118893

Order logic

Internal Code	Generation	Brand	Operation Hours	Battery Type	Control & Test Function	Mounting Type
Emergency Exit	G1 - Generation 1	TU - Tungstram	3 - 3h Operation	Ni - Nickel	S - Static	SM - Surface Mount
				Li - Lithium	DST - DALI with Self Test	WM - Wall Mount