

AHix



RAL 9007

IP66

IP66

IK08

16kg

CLASS I

CLASS II

CE

Product information

AHix luminaire offers an optimal LED lighting solution for high lumen package applications. Utilizing TU's unique, tried and tested reflective optic technology, combined with the effective thermal management, excellent light efficiency can be maintained throughout the whole lifetime of the luminaire, even under extreme thermal conditions. A wide range of different light distributions makes this luminaire versatile and flexible for numerous application areas. AHix is a perfect choice for high power LED lighting applications where optical flexibility and reliability are critical.

Application areas



Industrial & Maintenance



Car park



Logistical areas:
airports, ports, trains



Sport facilities

- Tunnels
- High mast applications
- Roundabouts

Structures and materials

- Housing material: die-cast and sheet metal aluminium body, stainless steel screws and brackets
- Surface finish: polyester powder coat
- Colour: RAL9007
- Optical cover: tempered low-iron glass
- All materials used in this product are WEEE and ROHS compatible.

Performance

- Rated luminous flux range: 21,000 to 37,600 lm
- Rated luminaire efficacy: Up to 133lm/W
- Rated median useful life and the associated rated LM factor: L80B50: > 216.000 hours
- Rated median useful life and the associated rated LM factor: L80B10 > 210.000 hours
- Rated median useful life and the associated rated LM factor: L90B50: > 105.000 hours
- Rated useful life and the associated rated LM factor: L90B10 > 105.000 hours
- Rated abrupt failure value: 20,79% at 100.000 hours
- Photometric code: 730/559, 740/559, 750/559
- Lumen maintenance code: 9
- Rated ambient temperature (tq) related to performance for a luminaire: 25°C
- Rated median useful life and the associated rated LM factor: L80B10 > 105.000 hours

*Definitions and tolerances according to IEC62722-2-1:2014

Installation and maintenance

Mounting options:

- Adjustable stirrup
- Weight: 16kg
- Recommended mounting height: 10-40 m
- Ambient operating temperature: -40°C to +50°C
- Storage temperature: up to 85°C

Optics

Available photometric distributions:

- AF - Asymmetric Forward
- AN - Asymmetric Narrow
- AW - Asymmetric Wide
- AEF - Asymmetric Extra Wide Flood
- AFN - Asymmetric Forward Throw Narrow
- SWF - Symmetrical Wide Flood
- SNS - Symmetrical Narrow Spot
- SW - Symmetrical Wide
- SF - Symmetrical Forward

Rated colour rendering index >70

Rated correlated colour temperatures: 3000K, 4000K, 5000K
ULOR: 0

Rated initial chromaticity co-ordinate values:

3000K - CIE(x=0.43, y=0.403) 5SDCM
4000K - CIE(x= 0.38, y= 0.38) 5SDCM
5000K - CIE(x= 0.34, y= 0.35) 5SDCM

Electrical

Input voltage and frequency: 220-240V, 50-60Hz

IEC Protection Class:

- Class I (10kV surge immunity)
- Class II (10kV surge protection)

Rated input power: 200W to 300W

Driver features

- Electronic dimmable driver: Dali, DynaDim, CLO
- Minimum dimming level: 10%

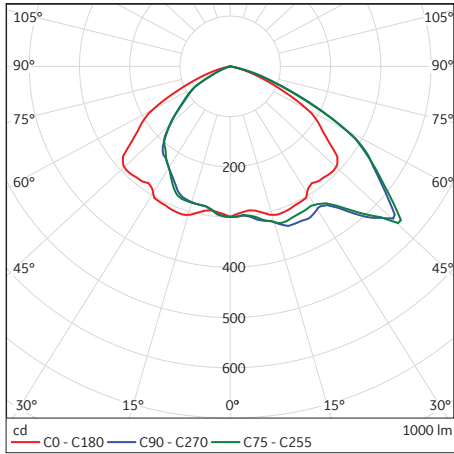
Standards and regulation

CE, Directive 2014/30/EU, 2014/35/EU, 2009/125/EC
 2019/2020/EU, 2011/65/EU, EN 60598, EN 62471, EN 55015,
 EN 61000-3-2, EN 61000-3-3, EN 62493, EN 61547.

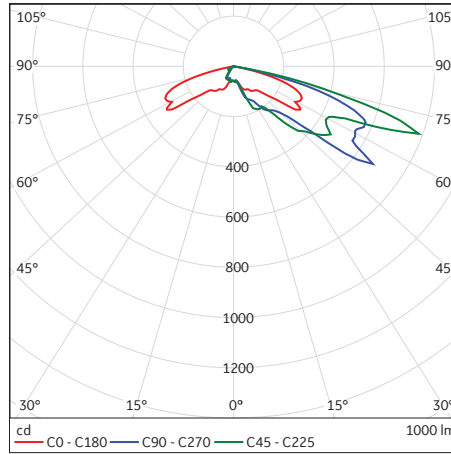
Other options available

Optional precabing
 Other RAL colours available on request

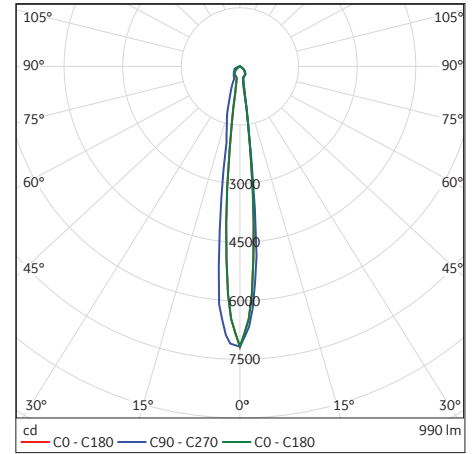
Typical photometrical features



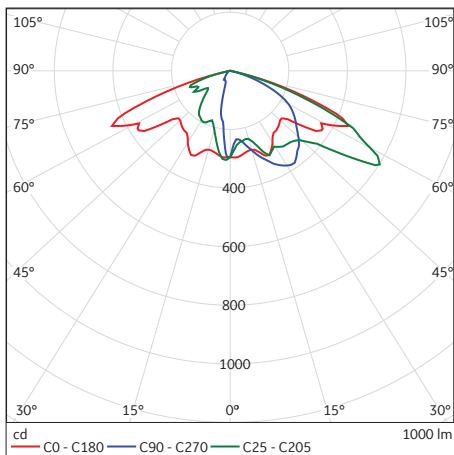
AEF



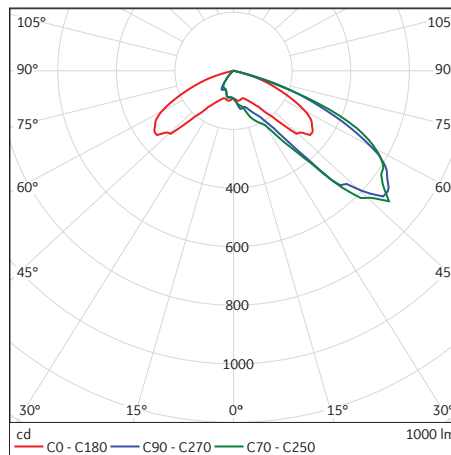
AF



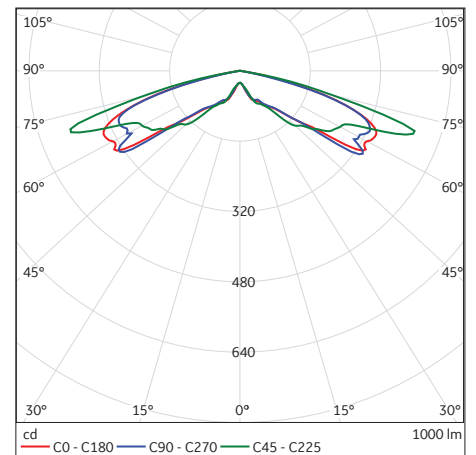
AFN



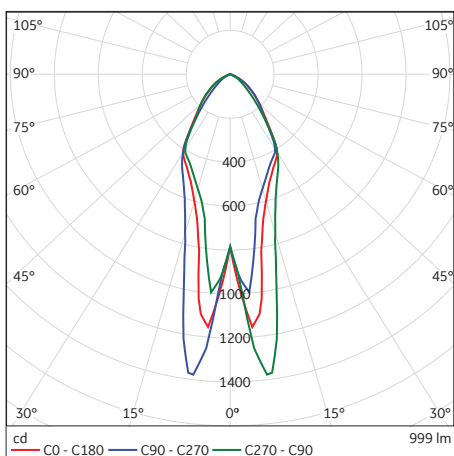
AN



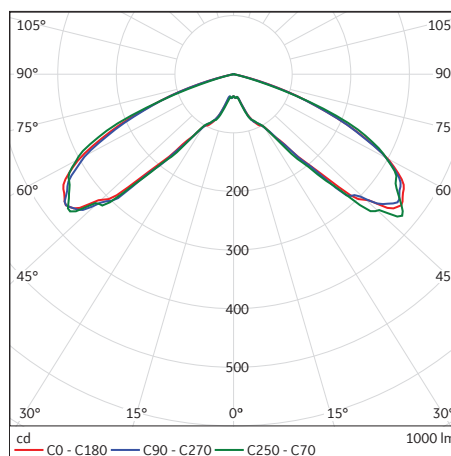
AW



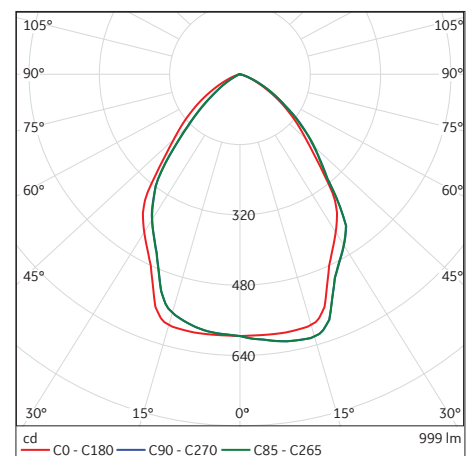
SF



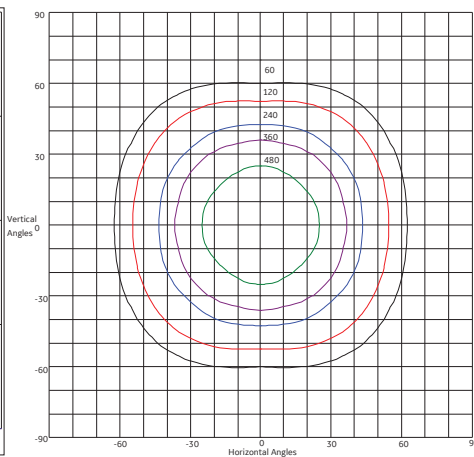
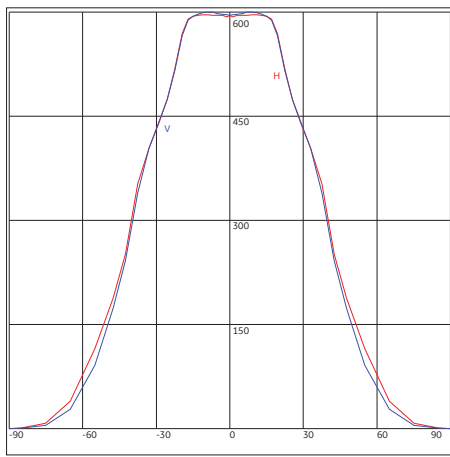
SNS



SW

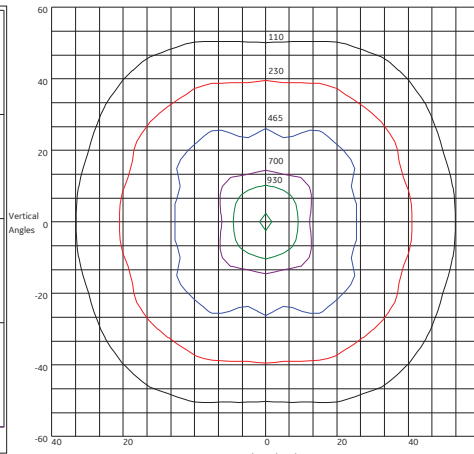
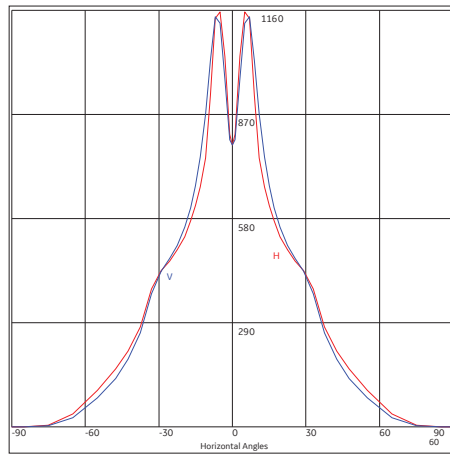


SWF



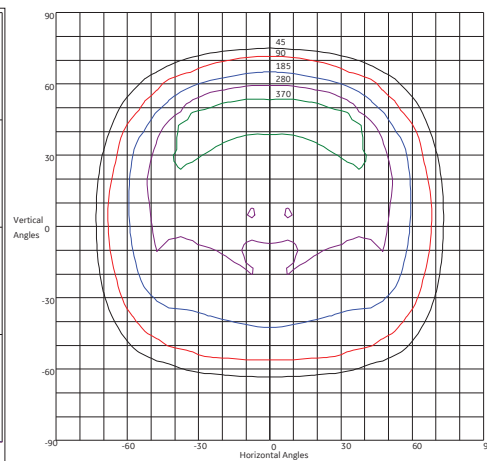
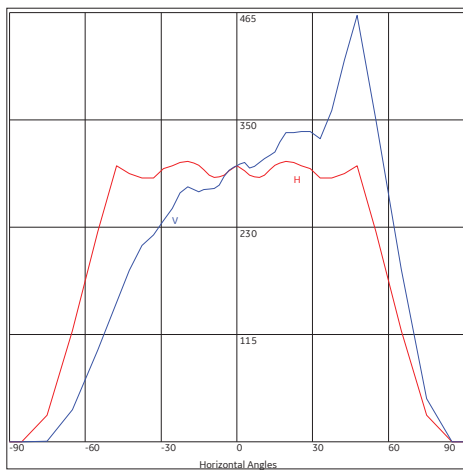
Distance [m]	Beam 80 x 80 [°]	Diameter [m]	Beam E _{ave} [lx/klm]
20		33 x 33	0.8
15		25 x 25	1.4
10		16 x 16	3.1
5		8 x 8	12.3
0		-	-

SWF - Symmetric Wide Flood Distribution



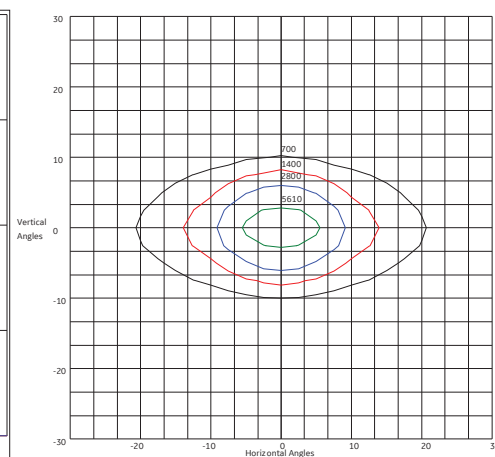
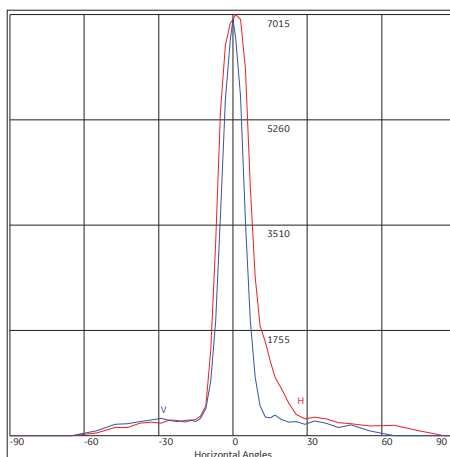
Distance [m]	Beam 34 x 34 [°]	Diameter [m]	Beam E _{ave} [lx/klm]
20		12 x 12	2.3
15		9 x 9	4.1
10		6 x 6	9.1
5		3 x 3	36.5
0		-	-

SNS - Symmetric Narrow Spot Distribution



Distance [m]	Beam 88 x 93 [°]	Diameter [m]	Beam E _{ave} [lx/klm]
20		39 x 42	0.6
15		29 x 32	1.0
10		19 x 21	2.2
5		10 x 11	9.0
0		-	-

AEF - Asymmetric Extra Wide Flood Distribution



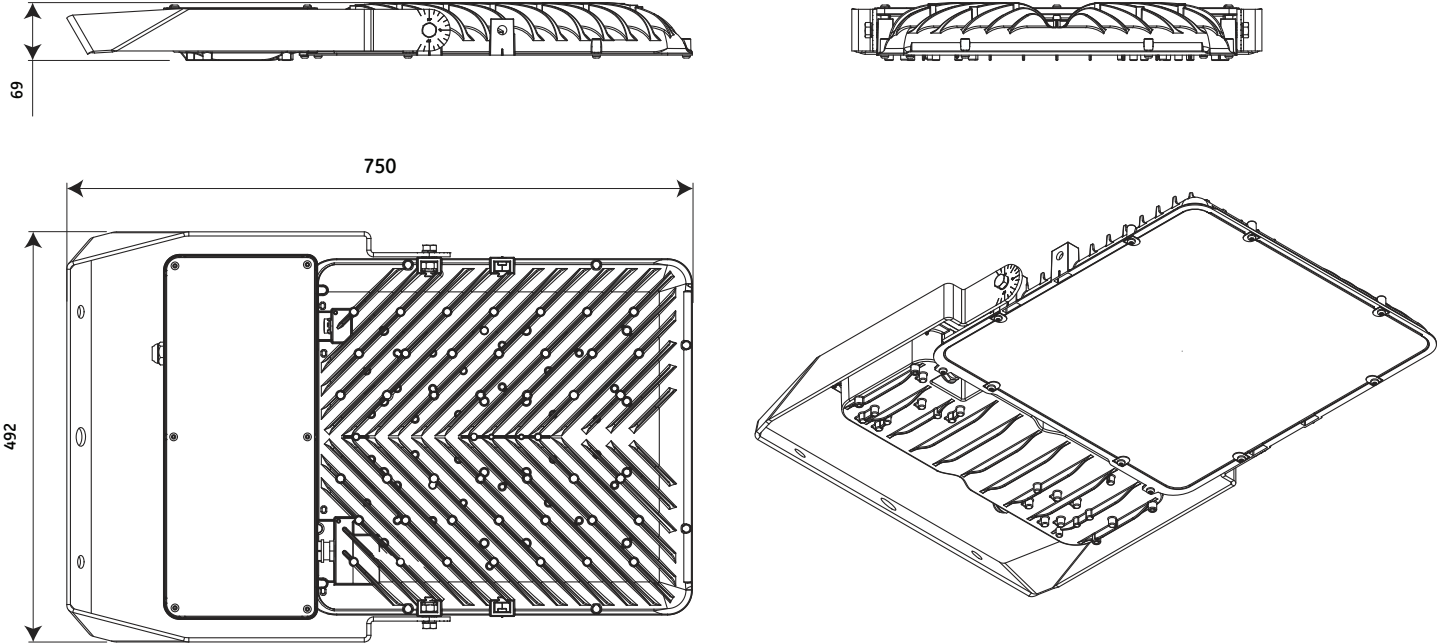
Distance [m]	Beam 11 x 14 [°]	Diameter [m]	Beam E _{ave} [lx/klm]
20		4 x 5	12.5
15		3 x 4	22.3
10		2 x 2	50.1
5		1 x 1	200.3
0		-	-

AFN - Asymmetric Forward Throw Wide Distribution

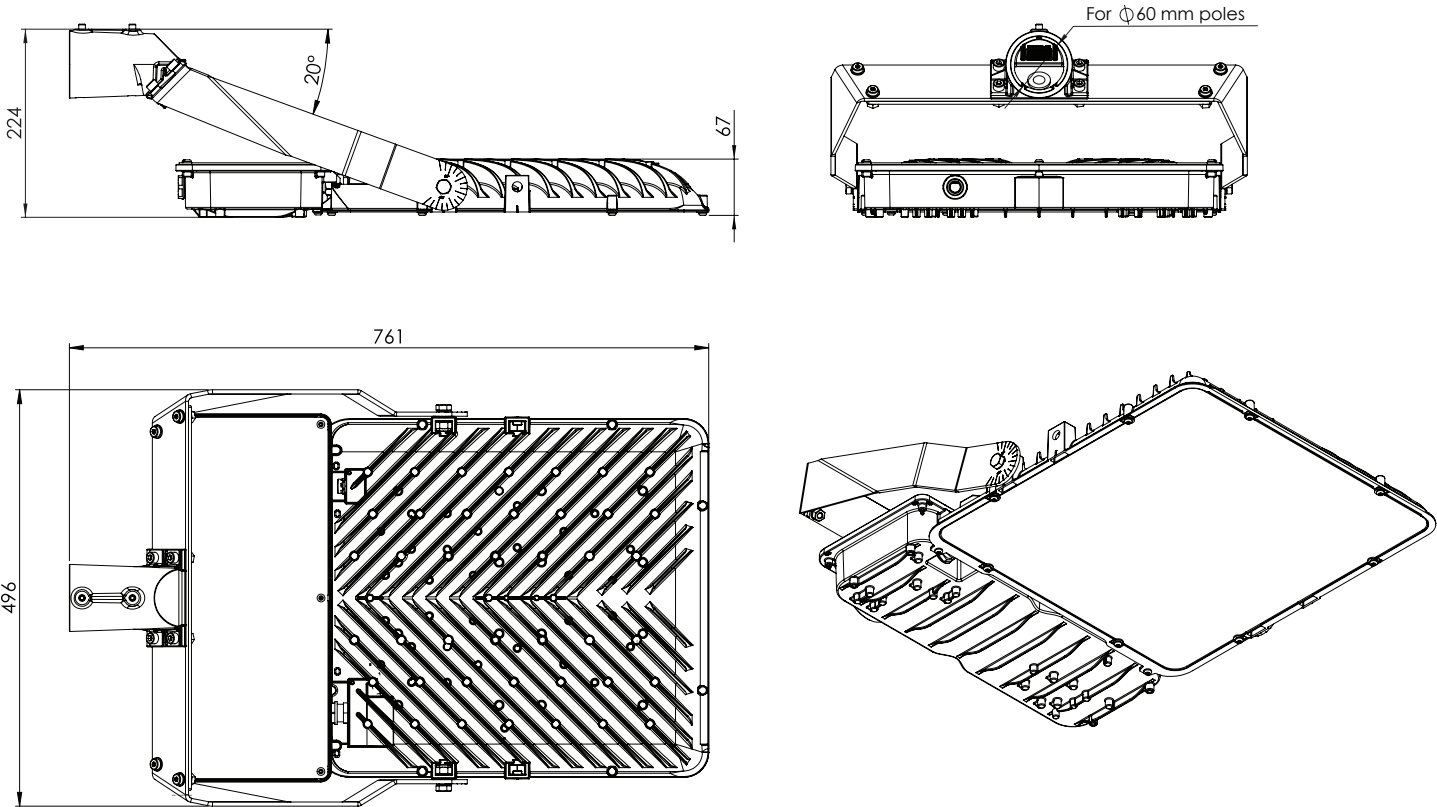
Dimensions - AHlx Integrated Luminaire (mm)

(ST Accessory Options)

B1 mounting option



B3 mounting option

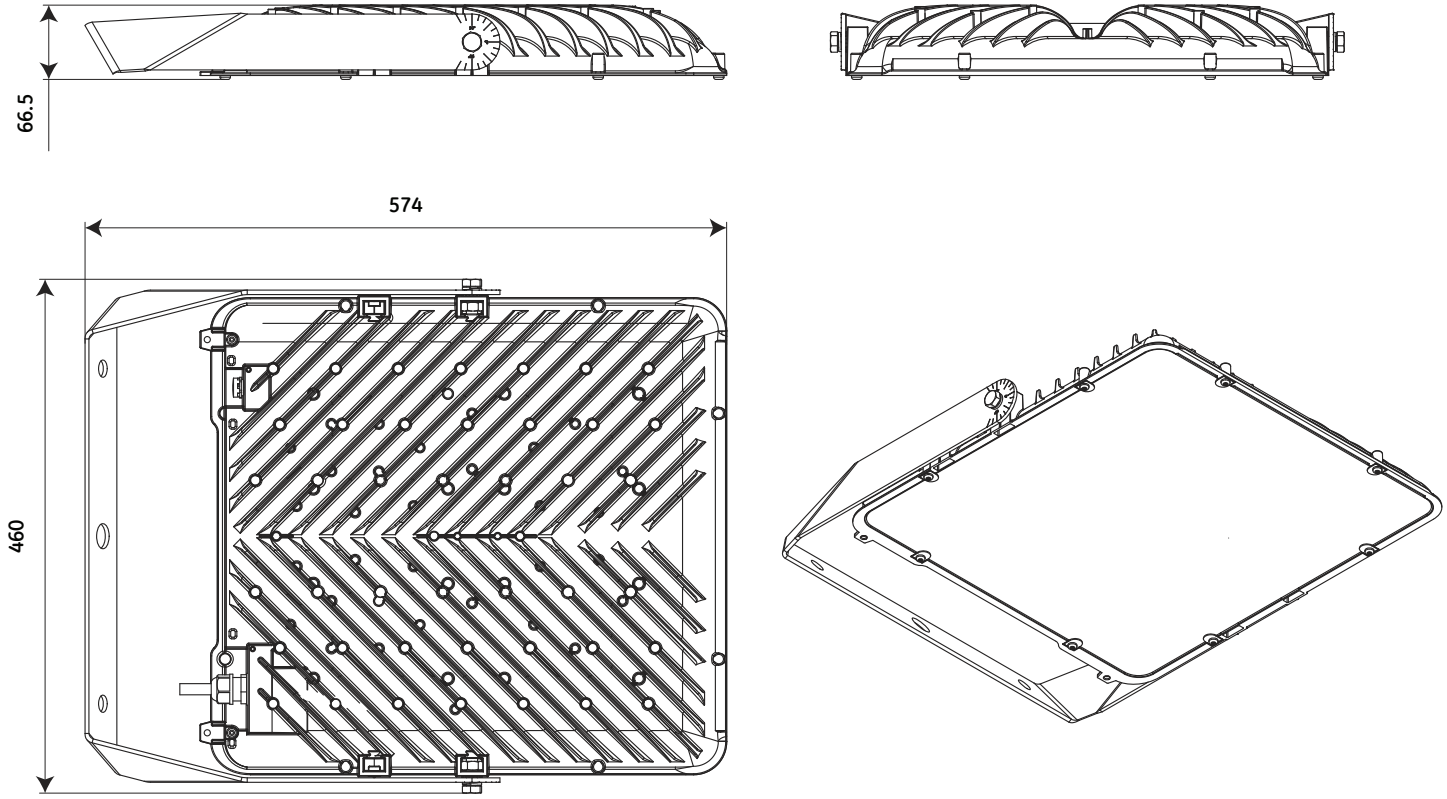


Dimensions - AHlx Remote Driver Luminaire (mm)

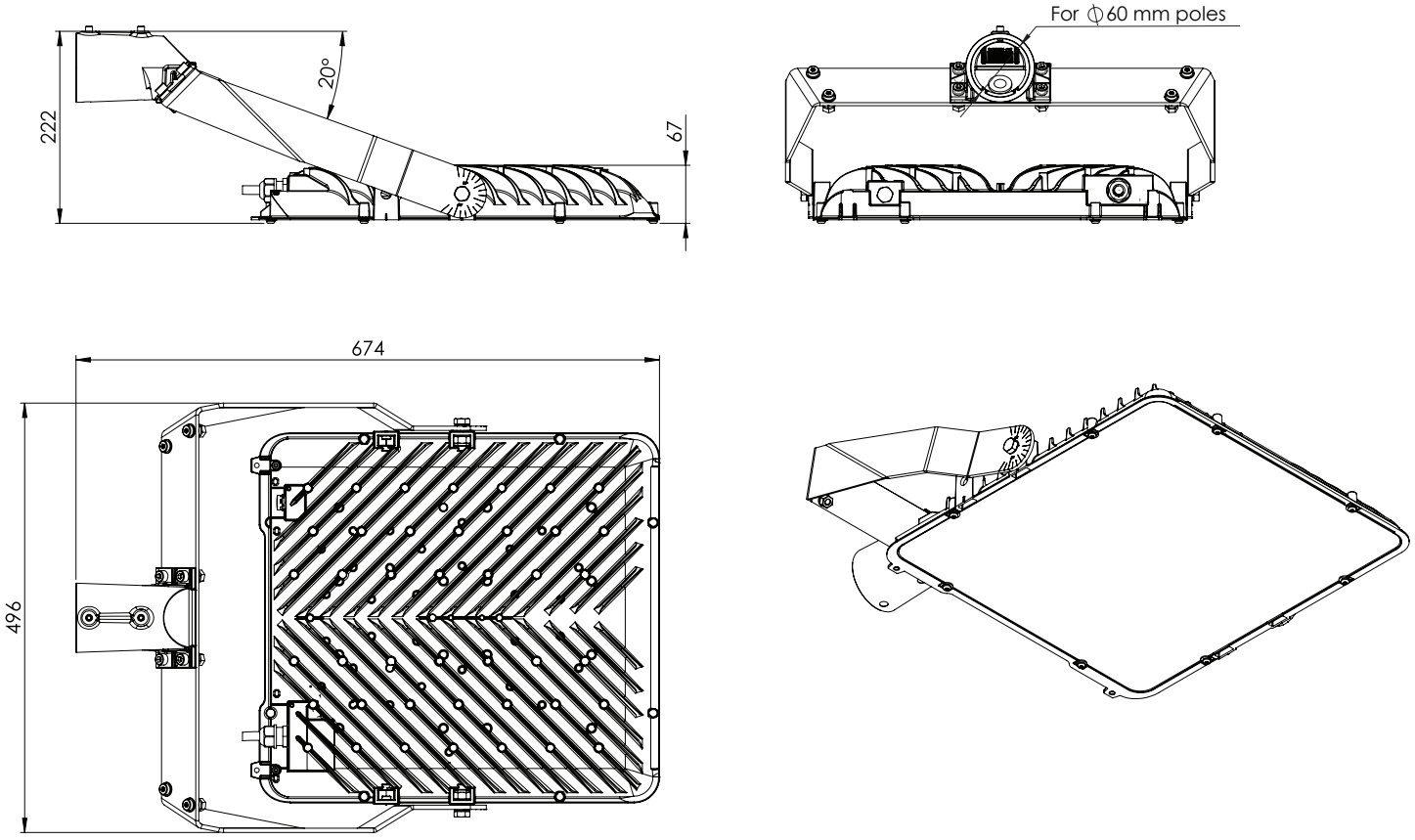
(RST Accessory Options)

B2 mounting option

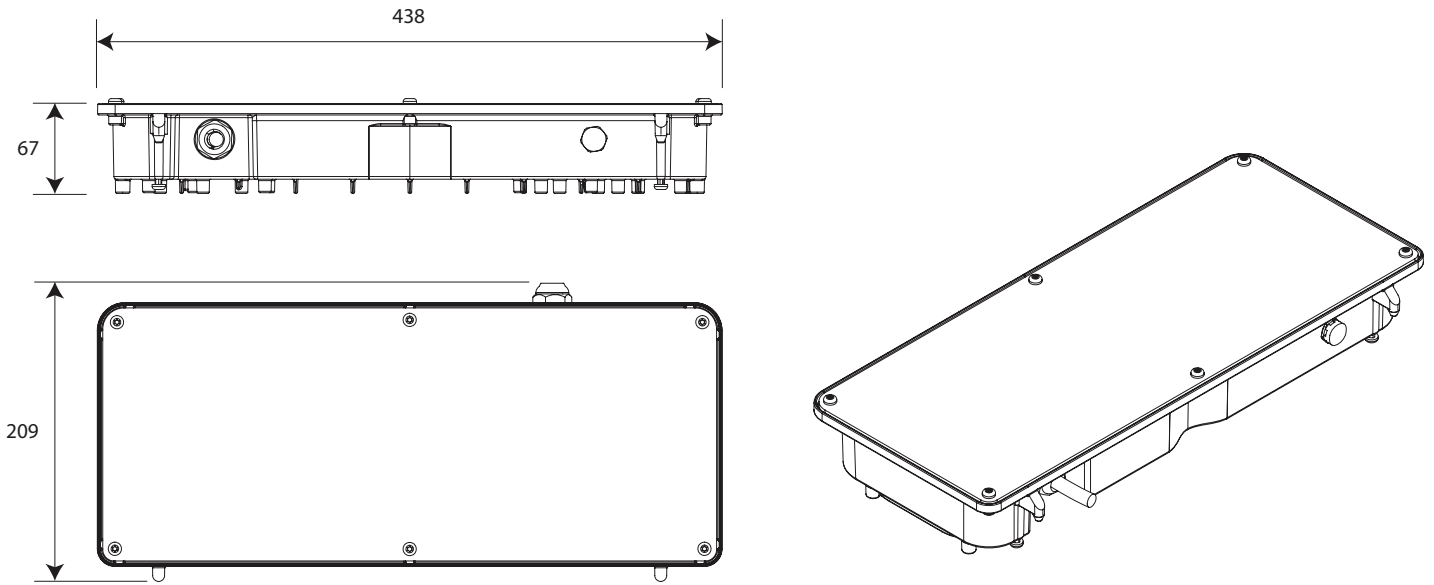
Optical module (9.5kg)



B3 mounting option



Driver module (4.5kg)



Order logic

Name	Gen.	Front Glass	Optics	Power (W)	CCT (K)	Control	Accessories	IEC Protection Classes	Precabbling	Mounting	Color
AHix	2	F -Flat Glass	AF - Asymmetric Forward	200 250 285 300	3 - 3000	N - No control	ST - Standard Luminaire, Driverbox mounted on luminaire,****	C1 - Class I	N - No precabbling	B1 - Bracket (Long)	R9007
			AN - Asymmetric Narrow								
			AW - Asymmetric Wide								
			AEF - Asymmetric Extra Wide Flood								
			AFN - Asymmetric Forward Throw Narrow								
			SWF - Symmetrical Wide Flood								
			SNS - Symmetrical Narrow Spot								
			SW - Symmetrical Wide								
SF - Symmetrical Forward											

Example: AHix/2/F/AF/200/4/D/ST/C1/N/B1

Exceptions:

* Maximum precabbling length supplied with the product is 5 meters. Longer cabling is sold separately.

** Other RAL colors available on request

*** x is integer

**** 10 kV surge immunity built in the driver in case of Class I

***** 10 kV surge protection in case of Class I & Class II

***** 2mt cable delivered to connect gear box and optical housing

Rated Lumens Table

3000K			4000K			5000K		
Nominal Power	Lumen	LPW	Nominal Power	Lumen	LPW	Nominal Power	Lumen	LPW
200	23060	115	200	23680	118	200	24150	121
250	27830	111	250	28570	114	250	29140	117
285	30270	106	285	31070	109	285	31700	111
300	32550	109	300	33420	111	300	34090	114

