

Recessed Spotlight G1 6W



The luminaire is not suitable for covering with thermally insulating material



Product information

The TUNGSRAM Recessed Spotlight G1 6W range is ideal for small areas or when you are looking for directional lighting. These LED fixtures are designed to offer quick replacement option for standard halogen spots.

Benefits

- Ideal replacement for Halogen spotlights
- 88% energy saving compared to 50W Halogen MR16
- Tilting head to adjust light beam where needed
- Affordable solution for retrofit or new installations
- Reduced replacement and maintenance costs
- Healthy – UV-free & IR-free

Features

- High efficiency: up to 90lm/w
- 30 000 hours lifetime (L70)
- Nominal Voltage: 220-240V
- Operating frequency: 50-60Hz
- 3 colour temperatures: 3000, 4000 and 6500K
- Colour rendering index: CRI 80+
- Beam angle: 40°
- Operation temperature: -10°C to 40°C
- Luminaire storage: -40°C to 60°C

Fixture structure

- Integrated polycarbonate lens and adjustable die-casting aluminum housing to exhibit desired lighting effect with high efficacy
- Output short circuit protection for fault condition
- Wire spring leaf for secure installation
- Tested for glow wire at 850°C
- Suitable for 68-72mm cut-out size

Application areas



Retail



Hospitality



Office



General lighting / Residential

Specification summary

| Product Code | Product Code (DS) | Description | Wattage (W) | Lumen (lm) | Nominal Current (mA) | Efficacy (lm/W) | CCT (K) | Energy Class | Replacement for Halogen |
|--------------|-------------------|---------------------------------------|-------------|------------|----------------------|-----------------|---------|--------------|-------------------------|
| 93107544 | 93103684 | LED Spotlight G1 TU WRA IP20 6W 830 S | 6 | 550 | 24-34mA | 90 | 3000 | A+ | 1*50W |
| 93107545 | 93103685 | LED Spotlight G1 TU WRA IP20 6W 840 S | 6 | 550 | 24-34mA | 90 | 4000 | A+ | |
| 93107546 | 93103686 | LED Spotlight G1 TU WRA IP20 6W 865 S | 6 | 550 | 24-34mA | 90 | 6500 | A+ | |

Általános jellemzők

Efficacy: 90lm/W

Power Factor: >0.9

Rated life: 30 000 hours

THD: <30%

IP rating: IP20

Dimmable: No

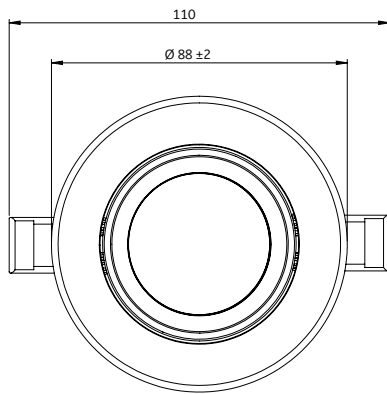
Regulatory and standards

Regulatory mark: CE

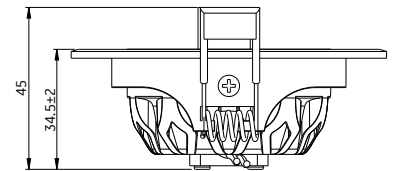
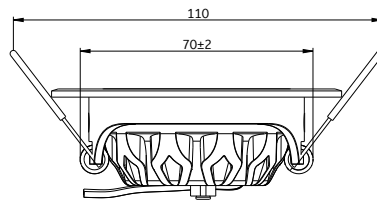
Regulations: 2014/35/EU, 2014/30/EU, 2011/65/EU, (framework 2009/125/EC) EU/1194/2012 amended by EU 2015/1428, (framework 2010/30/EC) 874/2012 and 518/2014*, 2012/19/EU*

Harmonised standards: EN 60598, EN 62493, EN 61547, EN55015, EN 61000, refer to CE Declaration of Conformity and Technical File for details
***not on DOC**

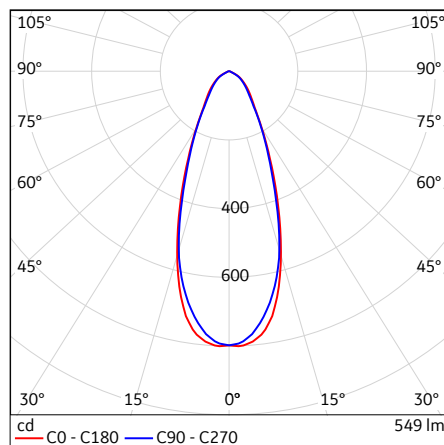
Dimensions (mm)



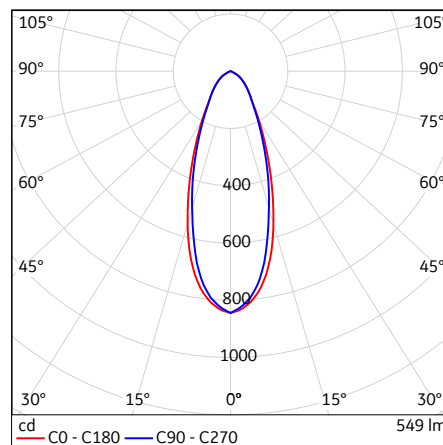
| Size | Outer Diameter (mm) | Height (mm) | Cut-out hole (mm) | Weight (kg) (with driver) | Weight(kg) (without driver) |
|-----------|---------------------|-------------|-------------------|---------------------------|-----------------------------|
| Ø88.*34.5 | 88 +/- 2 | 34.5 +/- 2 | 70 +/- 2 | 0,17 | 0,13 |



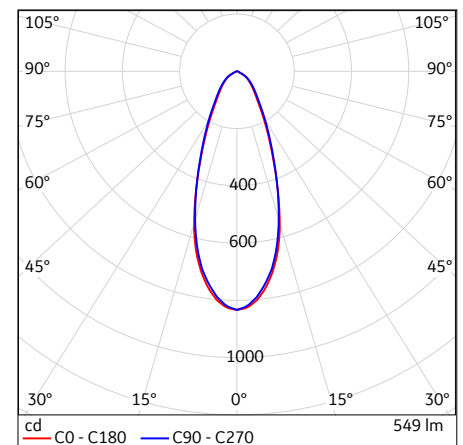
Photometric data



6W 3000K



6W 4000K



6W 6500K

Photometry is based on LM79

Ordering information

| Internal Code | Generation | Brand | Rim color | Rim shape | Diffuser | IP rating | System Wattage | CRI | CCT | Dimming | Shipment |
|---------------|----------------------|------------------|--------------|--------------|-------------------|-----------|----------------|---------------|---|---------------|----------------------------|
| LED Spotlight | G1 - Generation 1 | TU - TUNGSRAM | W - White | R - Round | A - Adjustable | IP20 | 6W | 8 - 80 CRI | 30 - 3000K 40 - 4000K 65 - 6500K | S - Static | DS - Direct Shipment |

Example: LED Spotlight G1 TU WRA IP20 6W 830 S,
IP20 rated adjustable 6W Recessed Spotlight with white round bezel, non dimmable, 3000K CCT