

Tungsr Premium Floodlight G3



DATA SHEET



Product information

Premium Floodlight G3 range is available with different lumen output levels from 1.150 lm to 26.000 lm with up to 130 LPW efficiency. The range is suitable for various applications wall mounted around building facades, ideal for the classic floodlighting of buildings as well as lighting gardens, paths near to buildings, garages, entrance ways and drives. Compared to traditional floodlights Tungsr LED Floodlight supplies immediate light without start-up or cooling down times. Thanks to a robust aluminium housing with safety glass cover, the floodlights are ideal for outdoor use.

Features

- Power: from 10W to 200W
- Luminous flux: up to 26.000 lm
- Efficiency: Up to 130lm/w
- CCT: 3000K, 4000K, 6500K
- Lifetime: 50.000 hours @ L80/B10
- 5 - Year Warranty
- IP65
- IK08 for 50W, 70W, 100W, 150W, 200W and IK07 for 10W, 20W and 30W impact protection class
- Motion sensor combined with daylight sensor option and daylight sensor only options
- Multivoltage driver for all non-sensor version and 220V-240V driver for the sensor versions
- High quality Samsung chips
- Aluminum diecast housing with strengthened glass
- PF ≥ 0.9 (≥ 0.8 for 20W versions & 30W Dusk Till Down and ≥ 0.7 for 10W versions & 20W Dusk Till Down)
- THD $\leq 40\%$ for 10W, 20W and $\leq 25\%$ for 30W, 50W, 70W, 100W, 150W and 200W
- Operating frequency: 50-60Hz
- Suitable for operation in ambient temperature of -30°C to $+50^{\circ}\text{C}$ (10-200W) or -20°C to $+40^{\circ}\text{C}$ (10-50W Motion Sensor Range and 20-50W Dusk Till Dawn)
- SDCM ≤ 5 for 50-150W and ≤ 6 for 10-30W and 200W
- Color rendering (CRI) is ≥ 80
- Power cable length for all ranges: 450mm

Application areas



Industrial,
Warehouses



Car park,
Garages



Public areas



Building
facades



Construction
areas

Specification summary

Parameters below are the same for all luminaires in the range:

| | |
|--|---|
| Light Technology used | LED |
| Light source | Non-replaceable light source |
| Mains / Non-mains | Mains Light source |
| Directional / Non-directional | Directional |
| Colour-tuneable | No |
| Anti-glare shield | No |
| Correlated color temperature (CCT) | 3000K / 4000K / 6500K |
| SDCM (Standard Deviation or Color Maintenance) | ≤5 (50-150W) ≤6 (10-30W & 200W) |
| Beam angle | 110° (Symmetrical) 80x45° (Asymmetrical) |
| Flicker metric | ≤1 |
| Stroboscopic effect metric | >0,9* |

*Outdoor application

| | |
|----------------------------|--|
| Input Voltage & Frequency | 110-240VAC, 50/60Hz (Multi Voltage) 220-240VAC, 50/60Hz (Standard) |
| Power factor | ≥0.8 (only 20W versions & 30W Dusk Till Dawn) ≥0.7 (only 10W versions & 20W Dusk Till Dawn) |
| Displacement factor | ≥0.9 ≥0.8 (only 20W Multi-Voltage Non-Sensor) ≥0.7 (only 10W Multi-Voltage Non-Sensor) |
| Lifetime (L80B10) | 50.000 h |
| Survival factor at 3000h | 1 |
| Lumen maintenance at 3000h | 0,96 |
| Ingress protection (IP) | IP65 |
| Impact protection (IK) | IK07 (10-30W), IK08 (50-200W) |
| Color of Housing | Black |
| Materials (housing) | Aluminum |

Parameters below are specific for each of the product codes:

| Product code | Description | ELECTRICAL DATA | | | | PHOTOMETRICAL DATA | | | DIMENSIONS & WEIGHTS | |
|-------------------------|-------------------------------------|------------------|-------------------|--------------------|-------------|----------------------|-------------------|---------------------------|-------------------------|---------------------|
| | | System Power (W) | Input Voltage (V) | Input Current (mA) | Dimmable | Luminaire Lumen (lm) | Useful Lumen (lm) | Luminaire efficacy (lm/w) | Dimensions (LxVxH) (mm) | Product weight (kg) |
| SYMMETRIC RANGE | | | | | | | | | | |
| 93119420 | LED Flood G3 TU S 10W 830 SY MV BN | 10 | 110-240 | 68 | No (Static) | 1150 | 980 (120°) | 115 | 117 x 143 x 33 | 0,425 |
| 93119421 | LED Flood G3 TU S 10W 840 SY MV BN | 10 | 110-240 | 68 | No (Static) | 1200 | 1000 (120°) | 120 | 117 x 143 x 33 | 0,425 |
| 93119422 | LED Flood G3 TU S 10W 865 SY MV BN | 10 | 110-240 | 68 | No (Static) | 1200 | 1000 (120°) | 120 | 117 x 143 x 33 | 0,425 |
| 93119423 | LED Flood G3 TU S 20W 830 SY MV BN | 20 | 110-240 | 120 | No (Static) | 2300 | 1900 (120°) | 115 | 158 x 135 x 34 | 0,535 |
| 93119424 | LED Flood G3 TU S 20W 840 SY MV BN | 20 | 110-240 | 120 | No (Static) | 2400 | 2000 (120°) | 120 | 158 x 135 x 34 | 0,535 |
| 93119425 | LED Flood G3 TU S 20W 865 SY MV BN | 20 | 110-240 | 120 | No (Static) | 2400 | 2000 (120°) | 120 | 158 x 135 x 34 | 0,535 |
| 93119426 | LED Flood G3 TU S 30W 830 SY MV BN | 30 | 110-240 | 151 | No (Static) | 3450 | 2900 (120°) | 115 | 200 x 174 x 43 | 0,900 |
| 93119427 | LED Flood G3 TU S 30W 840 SY MV BN | 30 | 110-240 | 151 | No (Static) | 3600 | 3000 (120°) | 120 | 200 x 174 x 43 | 0,900 |
| 93119428 | LED Flood G3 TU S 30W 865 SY MV BN | 30 | 110-240 | 151 | No (Static) | 3600 | 3000 (120°) | 120 | 200 x 174 x 43 | 0,900 |
| 93119429 | LED Flood G3 TU S 50W 830 SY MV BN | 50 | 110-240 | 252 | No (Static) | 6250 | 5300 (120°) | 125 | 250 x 229 x 48 | 1,700 |
| 93119430 | LED Flood G3 TU S 50W 840 SY MV BN | 50 | 110-240 | 252 | No (Static) | 6500 | 5525 (120°) | 130 | 250 x 229 x 48 | 1,700 |
| 93119431 | LED Flood G3 TU S 50W 865 SY MV BN | 50 | 110-240 | 252 | No (Static) | 6500 | 5525 (120°) | 130 | 250 x 229 x 48 | 1,700 |
| 93119432 | LED Flood G3 TU S 70W 830 SY MV BN | 70 | 110-240 | 352 | No (Static) | 8750 | 7400 (120°) | 125 | 315 x 272 x 60 | 2,940 |
| 93119433 | LED Flood G3 TU S 70W 840 SY MV BN | 70 | 110-240 | 352 | No (Static) | 9100 | 7735 (120°) | 130 | 315 x 272 x 60 | 2,940 |
| 93119434 | LED Flood G3 TU S 70W 865 SY MV BN | 70 | 110-240 | 352 | No (Static) | 9100 | 7735 (120°) | 130 | 315 x 272 x 60 | 2,940 |
| 93119435 | LED Flood G3 TU S 100W 830 SY MV BN | 100 | 110-240 | 503 | No (Static) | 12500 | 10600 (120°) | 125 | 315 x 272 x 60 | 3,420 |
| 93119436 | LED Flood G3 TU S 100W 840 SY MV BN | 100 | 110-240 | 503 | No (Static) | 13000 | 11050 (120°) | 130 | 315 x 272 x 60 | 3,420 |
| 93119437 | LED Flood G3 TU S 100W 865 SY MV BN | 100 | 110-240 | 503 | No (Static) | 13000 | 11050 (120°) | 130 | 315 x 272 x 60 | 3,420 |
| 93119438 | LED Flood G3 TU S 150W 830 SY MV BN | 150 | 110-240 | 755 | No (Static) | 18750 | 15900 (120°) | 125 | 350 x 297 x 60 | 4,085 |
| 93119439 | LED Flood G3 TU S 150W 840 SY MV BN | 150 | 110-240 | 755 | No (Static) | 19500 | 16575 (120°) | 130 | 350 x 297 x 60 | 4,085 |
| 93119440 | LED Flood G3 TU S 150W 865 SY MV BN | 150 | 110-240 | 755 | No (Static) | 19500 | 16575 (120°) | 130 | 350 x 297 x 60 | 4,085 |
| 93119441 | LED Flood G3 TU S 200W 830 SY MV BN | 200 | 110-240 | 1007 | No (Static) | 25000 | 21250 (120°) | 125 | 408 x 347 x 60 | 5,495 |
| 93119442 | LED Flood G3 TU S 200W 840 SY MV BN | 200 | 110-240 | 1007 | No (Static) | 26000 | 22100 (120°) | 130 | 408 x 347 x 60 | 5,495 |
| 93119443 | LED Flood G3 TU S 200W 865 SY MV BN | 200 | 110-240 | 1007 | No (Static) | 26000 | 22100 (120°) | 130 | 408 x 347 x 60 | 5,495 |
| ASYMMETRIC RANGE | | | | | | | | | | |
| 93119454 | LED Flood G3 TU S 100W 830 AS MV BN | 100 | 110-240 | 503 | No (Static) | 11500 | 8625 (90°) | 115 | 350 x 297 x 60 | 3,500 |
| 93119456 | LED Flood G3 TU S 100W 840 AS MV BN | 100 | 110-240 | 503 | No (Static) | 12000 | 9000 (90°) | 120 | 408 x 347 x 60 | 3,500 |
| 93119455 | LED Flood G3 TU S 150W 830 AS MV BN | 150 | 110-240 | 755 | No (Static) | 17400 | 12500 (90°) | 115 | 408 x 347 x 60 | 4,185 |
| 93119457 | LED Flood G3 TU S 150W 840 AS MV BN | 150 | 110-240 | 755 | No (Static) | 18000 | 13000 (90°) | 120 | 408 x 347 x 60 | 4,185 |

| Product code | Description | ELECTRICAL DATA | | | | PHOTOMETRICAL DATA | | | DIMENSIONS & WEIGHTS | |
|--------------|-------------|------------------|-------------------|--------------------|----------|----------------------|-------------------|---------------------------|-------------------------|--------------------|
| | | System Power (W) | Input Voltage (V) | Input Current (mA) | Dimmable | Luminaire Lumen (lm) | Useful Lumen (lm) | Luminaire efficacy (lm/w) | Dimensions (LxVxH) (mm) | Product weight (g) |

MOTION SENSOR RANGE

| | | | | | | | | | | |
|----------|------------------------------------|----|---------|-----|-------------|------|-------------|-----|----------------|-------|
| 93119444 | LED Flood G3 TU S 10W 840 SY ST BM | 10 | 220-240 | 68 | No (Static) | 1200 | 1000 (120°) | 120 | 117 x 182 x 64 | 0,535 |
| 93119445 | LED Flood G3 TU S 20W 840 SY ST BM | 20 | 220-240 | 120 | No (Static) | 2400 | 2000 (120°) | 120 | 134 x 196 x 65 | 0,645 |
| 93119446 | LED Flood G3 TU S 20W 865 SY ST BM | 20 | 220-240 | 120 | No (Static) | 2400 | 2000 (120°) | 120 | 134 x 196 x 65 | 0,645 |
| 93119447 | LED Flood G3 TU S 30W 840 SY ST BM | 30 | 220-240 | 151 | No (Static) | 3600 | 2900 (120°) | 120 | 174 x 234 x 70 | 1,010 |
| 93119448 | LED Flood G3 TU S 30W 865 SY ST BM | 30 | 220-240 | 151 | No (Static) | 3600 | 2900 (120°) | 120 | 174 x 234 x 70 | 1,010 |
| 93119449 | LED Flood G3 TU S 50W 840 SY ST BM | 50 | 220-240 | 252 | No (Static) | 6500 | 5300 (120°) | 130 | 229 x 297 x 76 | 1,810 |
| 93119450 | LED Flood G3 TU S 50W 865 SY ST BM | 50 | 220-240 | 252 | No (Static) | 6500 | 5300 (120°) | 130 | 229 x 297 x 76 | 1,810 |

DUSK TILL DAWN

| | | | | | | | | | | |
|----------|-------------------------------------|----|---------|-----|-------------|------|-------------|-----|----------------|-------|
| 93119451 | LED Flood G3 TU S 20W 840 SY ST BDD | 20 | 220-240 | 120 | No (Static) | 2400 | 2000 (120°) | 120 | 134 x 196 x 65 | 0,645 |
| 93119452 | LED Flood G3 TU S 30W 840 SY ST BDD | 30 | 220-240 | 151 | No (Static) | 3600 | 2900 (120°) | 120 | 174 x 234 x 70 | 1,010 |
| 93119453 | LED Flood G3 TU S 50W 840 SY ST BDD | 50 | 220-240 | 252 | No (Static) | 6500 | 5300 (120°) | 130 | 229 x 297 x 76 | 1,810 |

Direct Shipment SKUs up on request.

Energy efficiency class (A-G)*

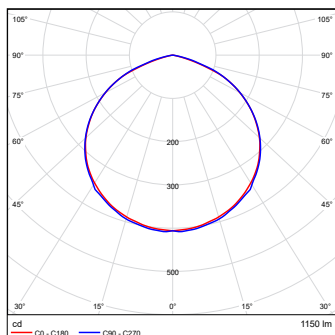


| | | | | |
|----------|----------|----------|----------|----------|
| 93119420 | 93119431 | 93119442 | 93119445 | 93119454 |
| 93119421 | 93119432 | 93119443 | 93119446 | 93119456 |
| 93119422 | 93119433 | 93119458 | 93119447 | 93119455 |
| 93119423 | 93119434 | 93119459 | 93119448 | 93119457 |
| 93119424 | 93119435 | 93119460 | 93119449 | |
| 93119425 | 93119436 | 93119461 | 93119450 | |
| 93119426 | 93119437 | 93119462 | 93119451 | |
| 93119427 | 93119438 | 93119463 | 93119452 | |
| 93119428 | 93119439 | 93119464 | 93119453 | |
| 93119429 | 93119440 | 93119465 | | |
| 93119430 | 93119441 | 93119444 | | |

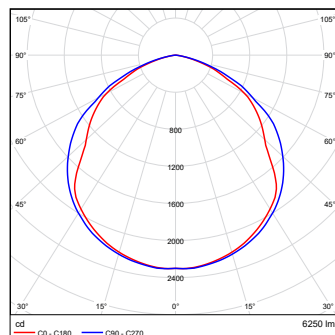
*according to regulation 2019/2015

Photometric data

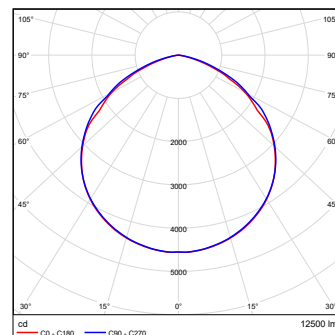
Symmetric



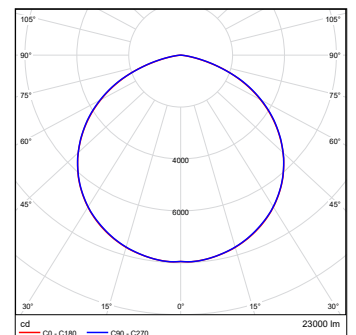
10W



50W

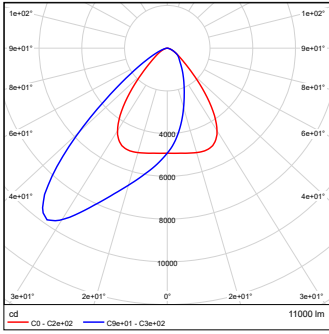


100W

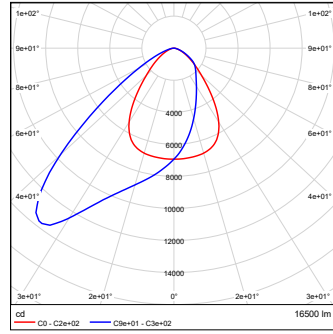


200W

Asymmetric



100W



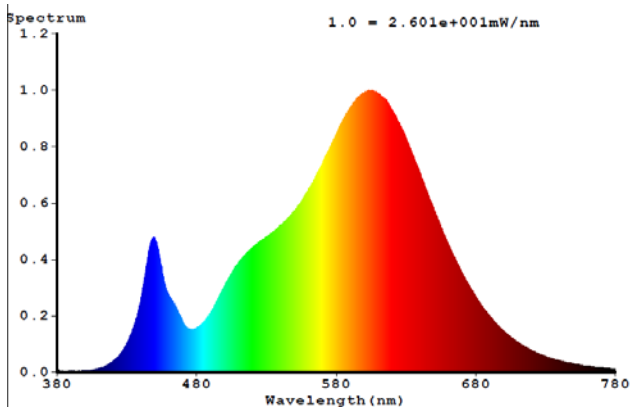
150W

Only for indicative purpose. For lighting design, please use the ldt photometry files available for the products.

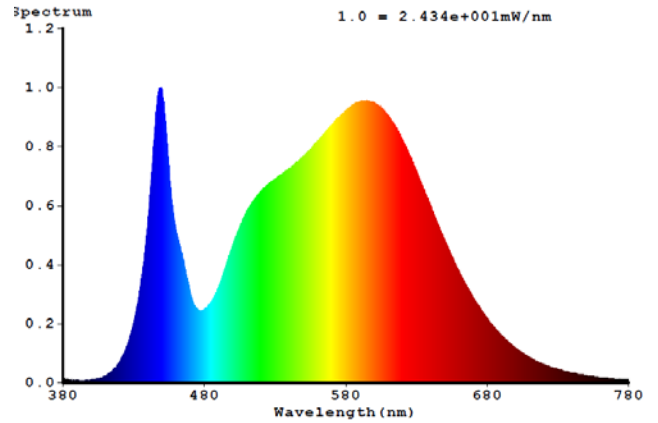
Ordering information

| Internal Code | Generation | Brand | Controller | System W | CRI | CCT | Reflector | Voltage | Housing color | Special |
|---------------|-------------------|---------------|------------|---|--------|--|--------------------------------------|-------------------------------------|---------------|---|
| LED Flood | G3 - Generation 3 | TU - TUNGSRAM | S - Static | 10W 20W 30W 50W 70W 100W 150W 200W | 8 - 80 | 30 - 3000K 40 - 4000K 65 - 6500K | SY - SYMETRICAL AS - ASSYMETRICAL | ST - 220-240V MV - Multi Voltage | B - Black | N - Standard version M - Sensor version DD - Dusk till Dawn |

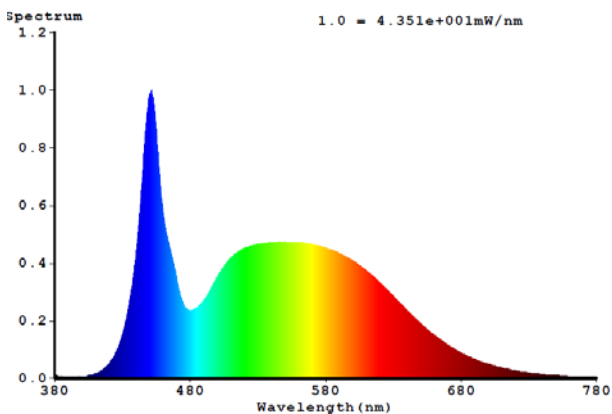
Spectral power distribution



3000K

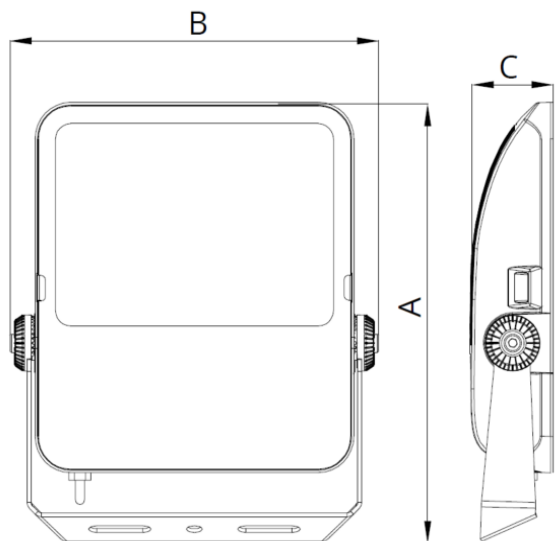


4000K

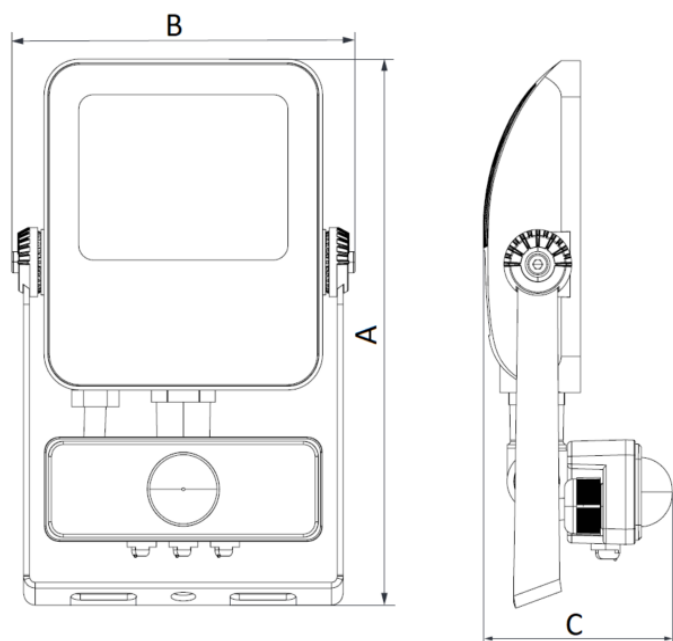


6500K

Dimensions (mm)



| Standard version | A (mm) | B (mm) | C (mm) |
|------------------|--------|--------|--------|
| 10W | 143 | 117 | 33 |
| 20W | 158 | 135 | 34 |
| 30W | 200 | 174 | 43 |
| 50W | 250 | 229 | 48 |
| 70W | 315 | 272 | 60 |
| 100W | 315 | 272 | 60 |
| 150W | 350 | 297 | 60 |
| 200W | 408 | 347 | 60 |



| Motion sensor range | A (mm) | B (mm) | C (mm) |
|---------------------|--------|--------|--------|
| 10W | 182 | 117 | 64 |
| 20W | 196 | 134 | 65 |
| 30W | 234 | 174 | 70 |
| 50W | 297 | 229 | 76 |

Sensor specification

| | |
|-------------------------|-----------------------------------|
| Power Source | 220-240VAC |
| Power Frequency | 50Hz |
| Ambient Light | 3-2000lx (adjustable) |
| Time Delay | min: 10sec±3sec max: 7min±3min |
| Ingress protection (IP) | IP65 |

| | |
|---------------------|-----------------|
| Detection Range | 120° |
| Detection Distance | Max 8m (<24 °C) |
| Working Temperature | -25°C to +40 °C |
| Working Humidity | <93%RH |

Regulatory and standards

Regulatory marks: CE, UKCA, Morocco

Regulations: 2014/35/EU, 2014/30/EU, 2011/65/EU, (framework 2009/125/EC) EU/2019/2020, (framework EU 2017/1369), EU 2019/2015*, 2012/19/EU*

Harmonized standards: EEN 60598, EN 62493, EN 61547, EN55015, EN 61000, look for CE Declaration of Conformity and Technical File for details

Photobiological risk assessment is maximum group 1. The product is considered safe, does not pose any photobiological hazard
*not on DOC

Standard versions



10W



20W



30W



50W



70W



100W



150W



200W

Sensor version

